

Instructions for Installation of Balcas *britestore*

- The store must be installed on a flat reinforced concrete base, with minimum six inch thickness. The base must be level and of adequate size to support the unit under its complete underside.
- The diameter of the unit is 2.42 m and the height is 2.3 m.
- The space between the flange connection on the store and the ground is only 22 cm. This is to maximise the storage volume of the tank. We recommend leaving a small trench below the outlet to give installers more space to connect the augur. Alternatively the concrete base could be raised.
- The store should be sited in accordance with local building regulations.
- Do not remove or tamper with any fittings supplied with the unit.
- Do not drill or puncture the unit, other than to connect the augur to the base outlet.
- The store must not be moved once filled.
- The store needs to be situated where the maximum distance from the lorry will be 15m.
- Balcas recommend a maximum augur length of 3m from store to boiler.
- The intake pipe should be earthed.

Manufacturers Direct Guarantee

The *britestore* is sold with a Manufacturers Direct Guarantee (MDG) for a period of three years from purchase. The plastic body has been manufactured by Sturdy Products Ltd, for Balcas Ltd. See www.sturdyproducts.com for further details.

Ordering *brites*

brites can be ordered direct from the office and delivered throughout Ireland in minimum drops of 3 tonnes. See www.brites.eu or ring the *brites* Customer Support Team on +44 2866 411001 for more details.

Connections

You will need to purchase a connection for the bottom of your *britestore* to enable the feed mechanism to service the boiler with *brites* (See *britestore* connections section on the next page). The *britestore* also comes standard with a manual extraction point.



Cost

Euro €1800
Sterling £1250

This cost includes delivery but excludes VAT

Possible *briestore* Connection Solutions

Plumbing Supplies

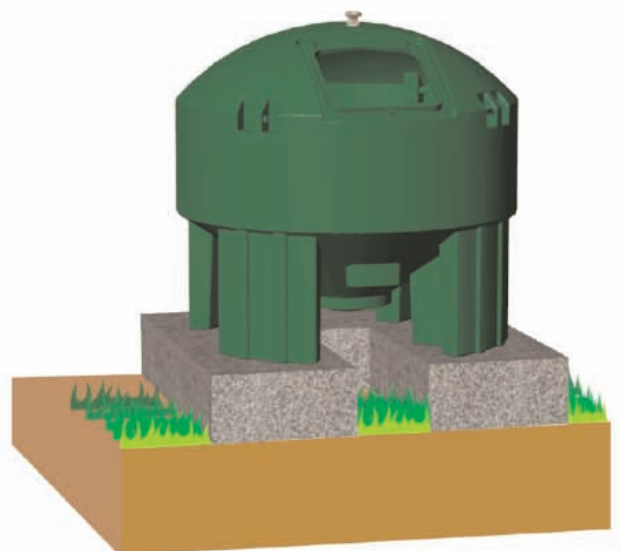
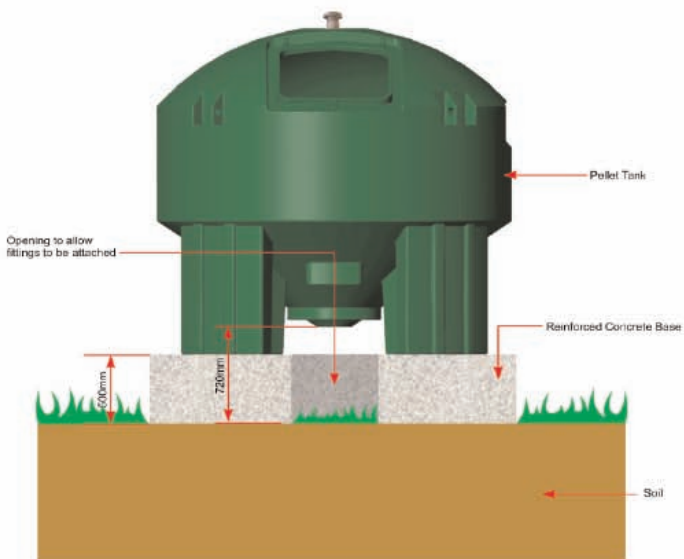
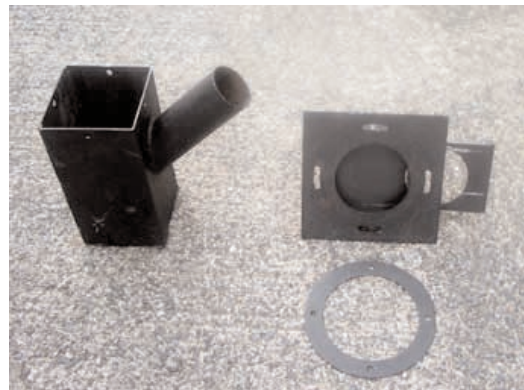
Unit C8, Victoria Street,
Lurgan, Co. Armagh, BT67 9DA
T. 02838 323968
F. 02838 324646
E. plumbingsupplies_lurgan@hotmail.com

Green Energy Solutions

30 Ballynabragget Road, Waringstown,
Craigavon, Co. Armagh, BT66 7SH
T. 02838 881228
F. 02838 882445
E. info@greenenergyltd.com
www.greenenergyltd.com

QMAC Engineering

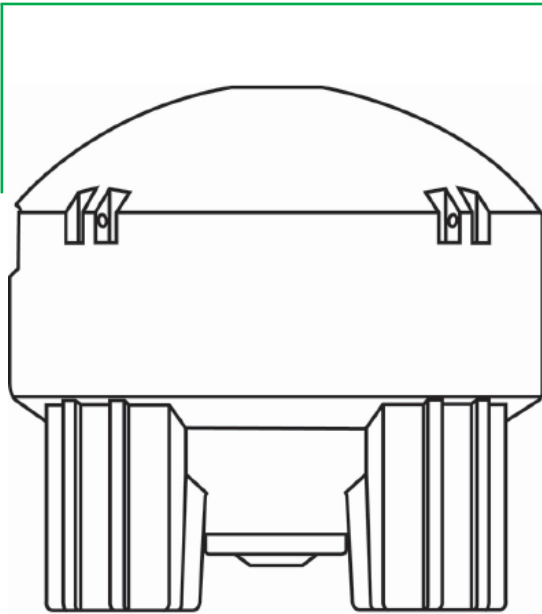
161 Ballymaguire Road, Stewartstown,
Dungannon, Co. Tyrone, BT71 5NN,
T. 028867 37312
F. 028867 36700
E. info@qmacsilos.co.uk
www.qmacsilos.co.uk



britestore Technical Specification

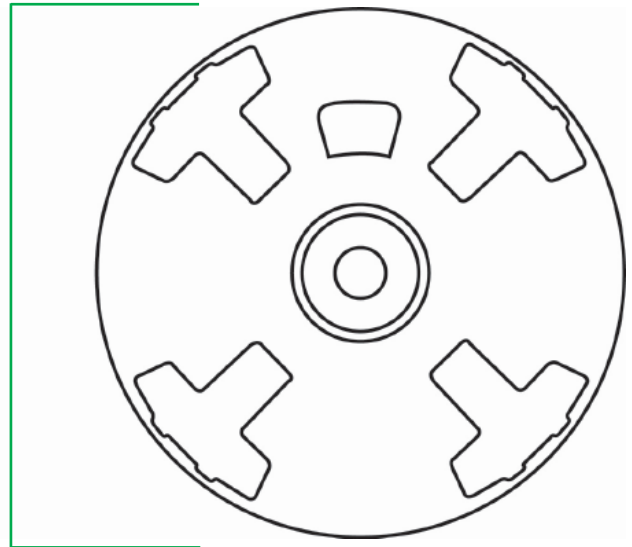
Overall Diameter

2.42m



Overall Height

2.28m



DIMENSIONS	2.42m Diameter, 2.28m Height
CAPACITY	5.845 m ³ +/- 3% (3.7 tonnes of pellet)
MAXIMUM WEIGHT	210kg when empty (including fittings)
MATERIAL	Medium Density Polythene (MDPE)
MATERIAL PROPERTIES	U.V. Stabilised to a rating of 12, Heat Stabilised, Good Colour Retention, and Long Life Expectancy
CHEMICAL RESISTANCE	Resistant to most chemicals (documents available on request)
FITTINGS	<ul style="list-style-type: none"> Internal Polypropylene Leg Covers (x4) Flanged Coupler c/w Backing Plate & Rubber Gasket (x2) Dust Caps (x2) Threaded Flange or Flat Plate c/w Backing Plate & Rubber Gasket Breather Vent c/w Rubber Gasket Self Adhesive Lid Seal Strip Lid Hinge Bar and Caps Nuts, Bolts and Washers Stickers

