

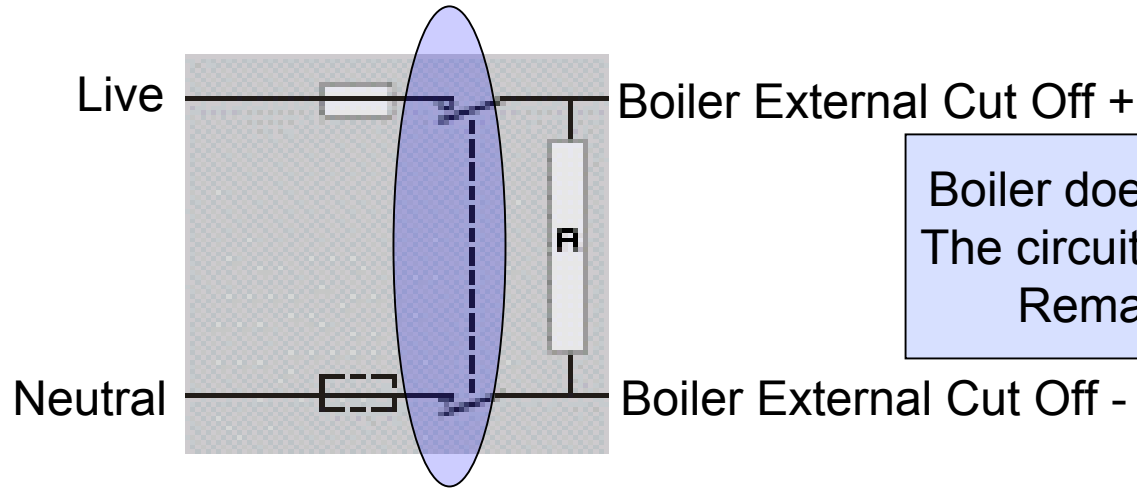
Electrical Requirements for Boiler

- A permanent 220 Volt mains supply for the boiler control panel.
 - » This is fed through the High temperature stat as standard.
- Two 220 Volt supplies controlled by the time clock in the house.
 - » One Supplies the circulation pump.
 - » The second to connect a contactor. (Only required if the Zero Voltage contact isn't available from the time clock)

Description of the use of the Contactor

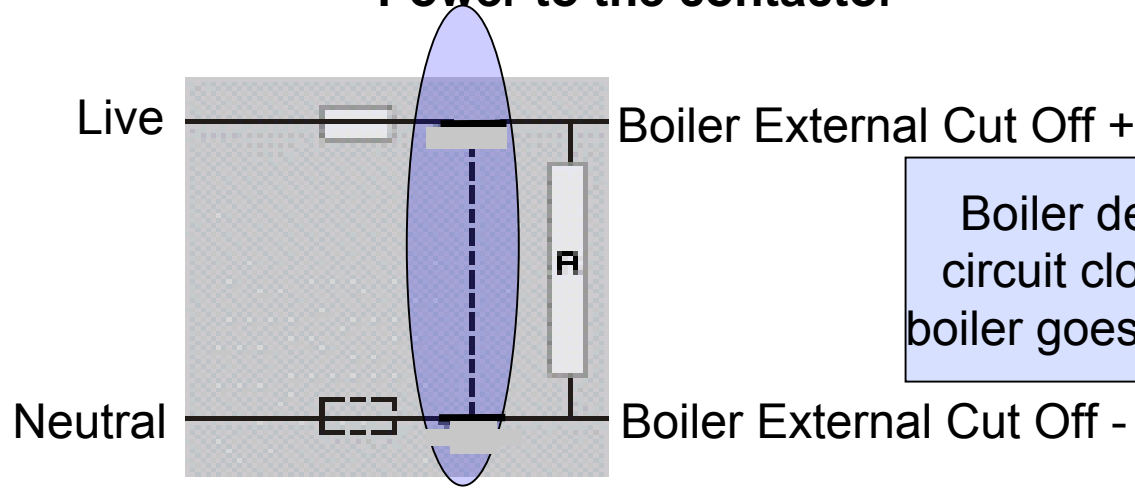
- A contactor can be used to create the 0 Volt circuit.
 - This enables the boiler to be started and stopped in a controlled manner.
- The contactor is in the normally open position when no power is supplied to it.
 - This means that the boiler control panel doesn't detect any signal when the power is off to the contactor i.e. doesn't start.
- When the power is switched on the contactor closes the zero volt circuit and the boiler goes to ignition 1. If the power is switched off the boiler stops and the fan continues to run.

No power to the contactor



Boiler doesn't detect
The circuit closed so
Remains off

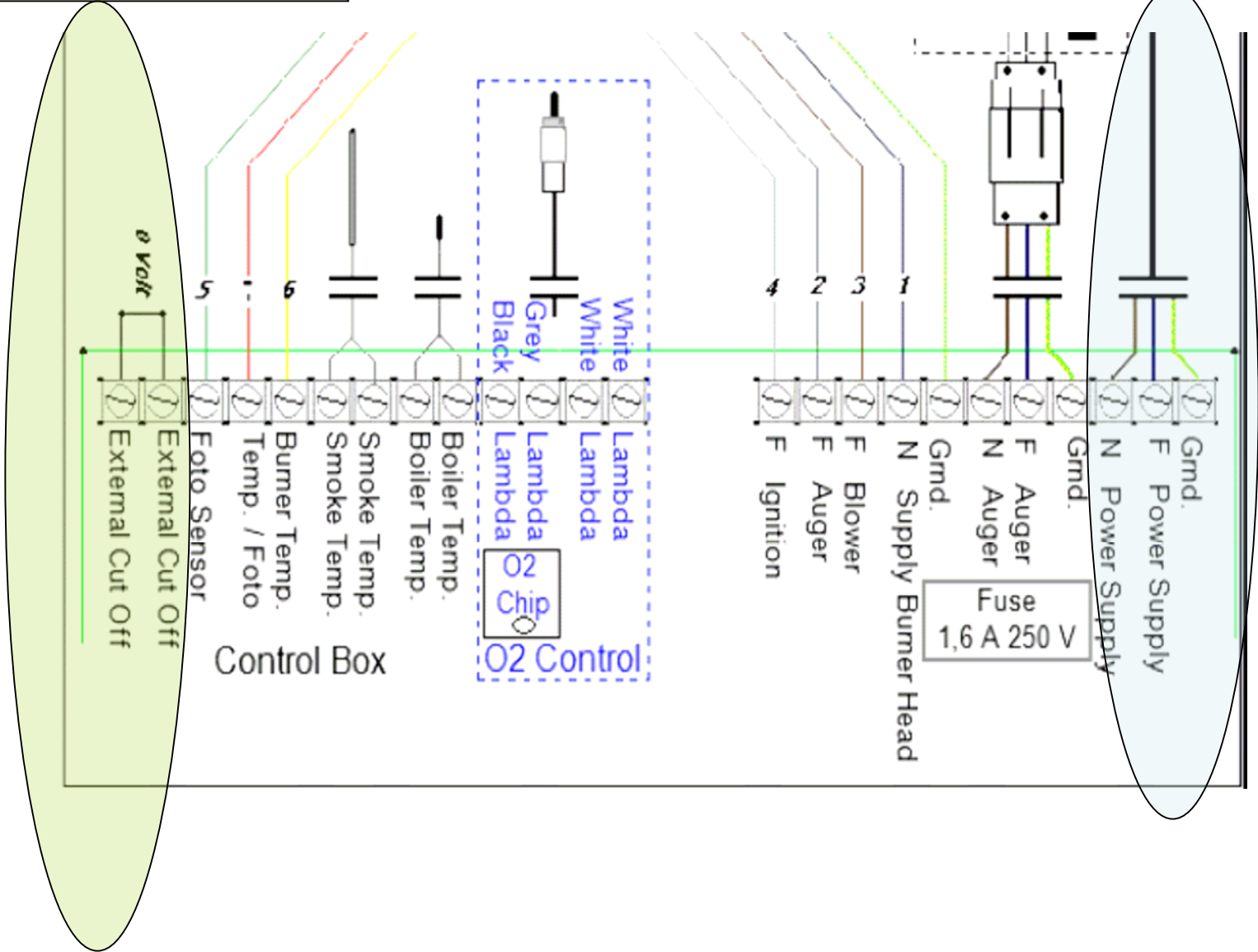
Power to the contactor



Boiler detects the
circuit closed so the
boiler goes to ignition 1

Two wires connected to contactor

Permanent 220 Volt Power Supply



0 Volt

Control Box

O2 Control

Fuse
1,6 A 250 V

Power Supply

Power Supply

Control Panel when the contactor is not powered

Is displayed when the Power to the contactor is off.

Power 10 %	Ext
Boiler Temperature	62,0 c
	112 c
	34 c
62,0 c	3,2 kw
	12,2 %
	82 lx

Control Panel when the contactor is powered

Is displayed when there is Power to the contactor.

Power 10 %	
Ignition 1 62,0 c	62,0 c
	112 c
	34 c
	3,2 kw
	12,2 %
	82 lx

Example Make of Contactor

- Hager ES 220 239220
Approx 15 euros

