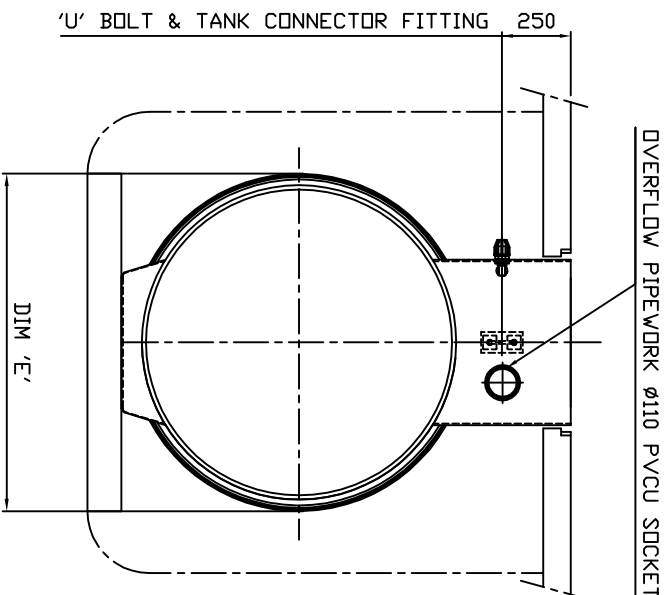
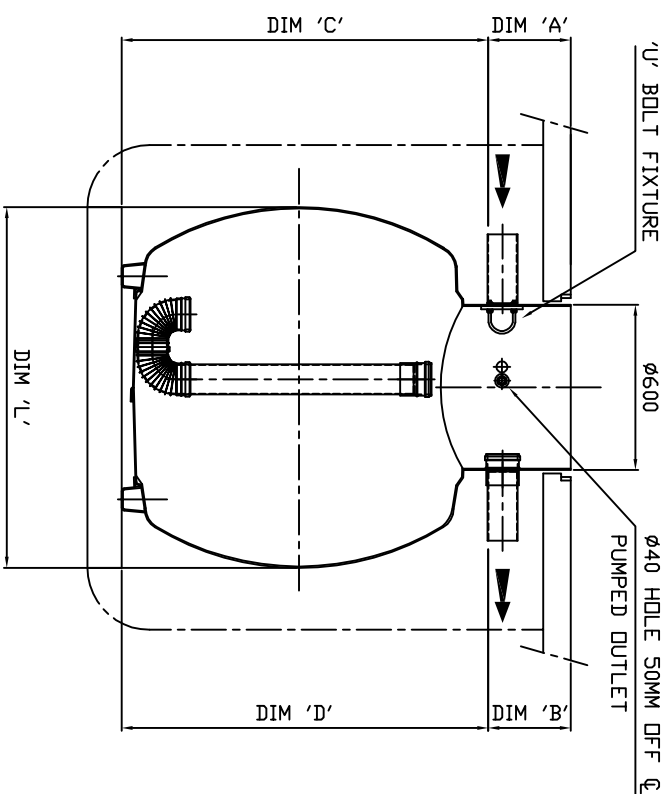
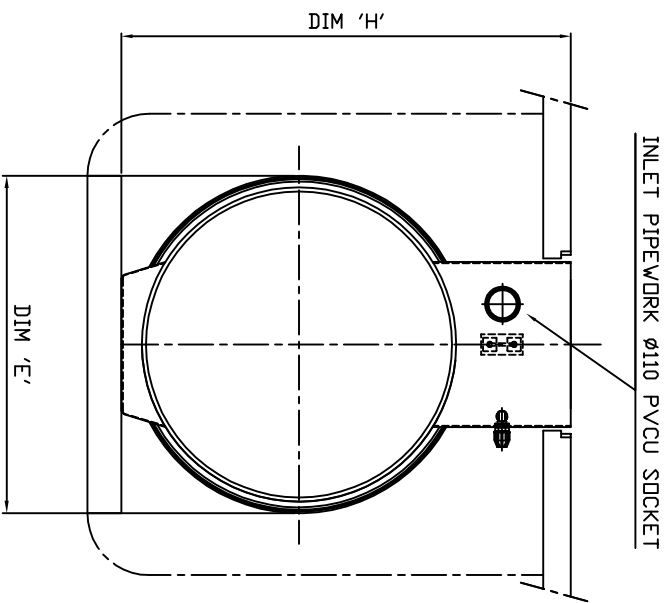


- NOTES :-
1. STANDARD INLET/OUTLET PIPES ARE PVCu UNDERGROUND DRAINAGE TO BS4660,
 2. IT IS ESSENTIAL THAT THIS DRAWING IS READ IN CONJUNCTION WITH DOCUMENT PDO343 (SUPPLIED WITH UNIT) GIVING INSTALLATION DETAILS. THIS DRAWING SHOULD BE USED FOR DIMENSIONAL INFORMATION ONLY



UNIT	DIM 'A'	DIM 'B'	DIM 'C'	DIM 'D'	DIM 'E'	DIM 'F'	DIM 'H'	DIM 'L'	WORKING CAPACITY,	APPROX EMPTY WEIGHT
1200 LITRE TANK	300	300	1330	1330	1225	655	1630	1310	1200 Litres	60 KG

ISSUE	DATE	DRWN	MODIFICATION
02	12/04/07	T.K.	CG460 ('B' was 380, 'D' was 1250)
1	09/02/04	A.L.	INITIAL ISSUE

This drawing is copyright and may not be reproduced or used without the written permission of Klargester Environmental Ltd. KLARGESTER RESERVE THE RIGHT TO CHANGE SPECIFICATIONS WITHOUT NOTICE

ALL DIMENSIONS ARE IN MILLIMETRES - DO NOT SCALE

Klargester
Treatment Systems
Klargester Environmental
College Road North, Aston Clinton,
Aylesbury, Bucks, HP22 9EW.
Tel:- 01296 633000
www.klargester.com

TITLE: RAIN WATER STORAGE TANKS 1200 LITRE CUSTOMER DRAWING

SCALE: 1:10 SHEET SIZE: A1

DRAWING NO: DS0695K ISSUE: 02