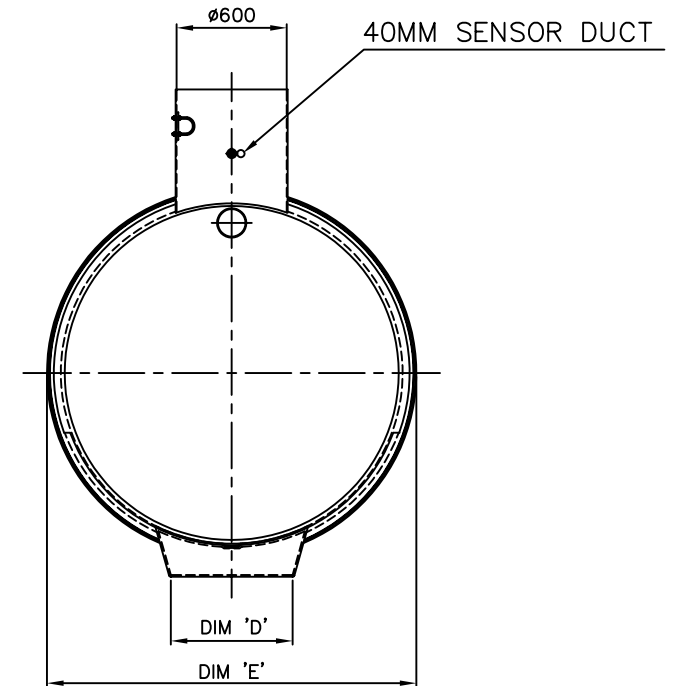
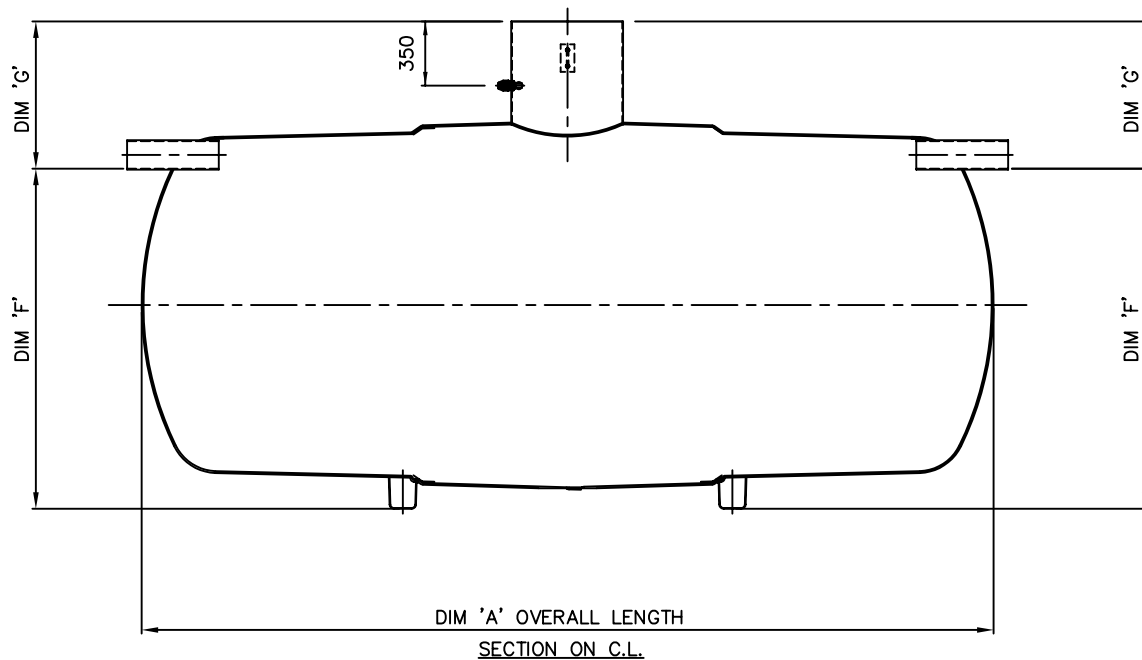


NOTES :-

1. STANDARD INLET/OVERFLOW PIPES ARE $\phi 160$ PVCu UNDERGROUND DRAINAGE TO BS4660,
2. IT IS ESSENTIAL THAT THIS DRAWING IS READ IN CONJUNCTION WITH INSTALLATION DOCUMENT (SUPPLIED WITH UNIT) GIVING INSTALLATION DETAILS. THIS DRAWING SHOULD BE USED FOR DIMENSIONAL INFORMATION ONLY.
3. IF UNIT REQUIRES NECK EXTENSIONS, CONSULT TECHNICAL SALES, PARTS TO BE ASSEMBLED ON SITE.

25mm TANK CONNECTOR

'U' BOLT & FIXINGS



CAPACITY	DIM 'A'	DIM 'B'	DIM 'C'	DIM 'D'	DIM 'E'	DIM 'F'	DIM 'G'	EMPTY WEIGHT
LITRES (VOLUME)	mm	mm	mm	mm	mm	mm	mm	
12000	4640	2320	2320	663	$\phi 2010$	1850	800	535 Kg

ISSUE	DATE	DRAWN	MODIFICATION
06	09.08.07	T.K.	CC497 - 'U' Bolt in neck rotated 90'
5	21.12.04	A.L.	DOUBLE THREADED SOCKET & HOSETAIL ADDED
4	07.07.04	A.L.	DRAWING / NOTES UPDATED
3	22.12.03	A.L.	BORDER UPDATE
2	22.01.02	A.L.	DRAWING UPDATED
1	04.12.01	A.L.	INITIAL ISSUE

This drawing is copyright and may not be reproduced or used without the written permission of Klargester Environmental. KLARGESTER RESERVE THE RIGHT TO CHANGE SPECIFICATIONS WITHOUT NOTICE



ALL DIMENSIONS ARE IN MILLIMETRES - DO NOT SCALE

Klargester
Treatment Systems

Klargester Environmental
College Road North, Aston Clinton,
Aylesbury, Bucks. HP22 9EW.
Tel:- 01296 633000
www.klargester.com

TITLE
RAIN WATER STORAGE TANKS
12000 LITRE
CUSTOMER DRG'S

SCALE 1:15 SHEET SIZE A1

DRAWING No. DS0623 ISSUE 06