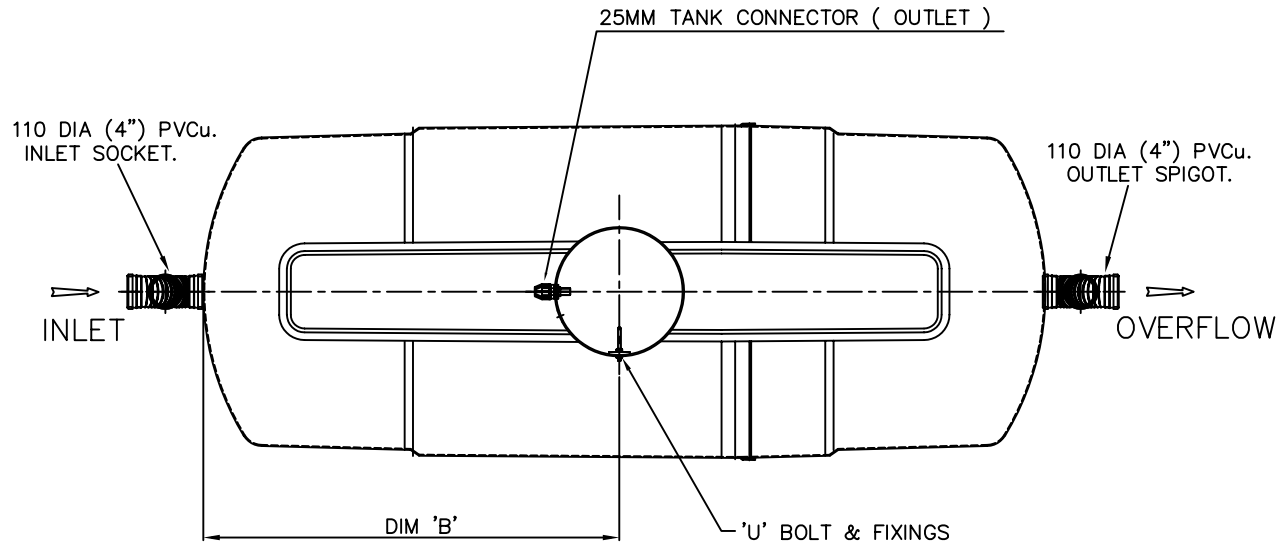
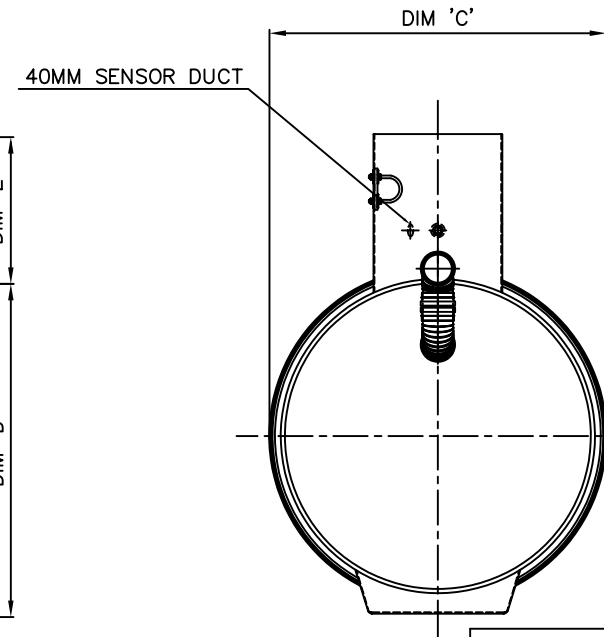
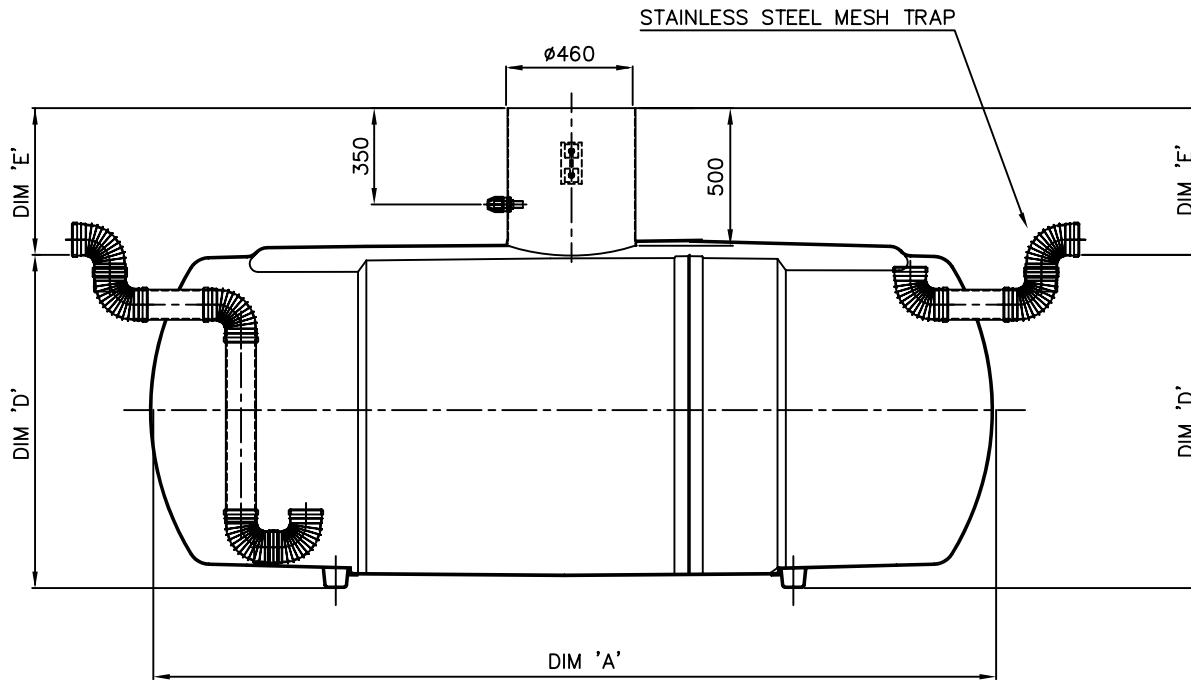


NOTES :-

1. STANDARD INLET/OUTLET PIPES ARE PVCu UNDERGROUND DRAINAGE TO BS4660,
2. IT IS ESSENTIAL THAT THIS DRAWING IS READ IN CONJUNCTION WITH INSTALLATION DOCUMENT (SUPPLIED WITH UNIT) GIVING INSTALLATION DETAILS. THIS DRAWING SHOULD BE USED FOR DIMENSIONAL INFORMATION ONLY
3. EXTERNAL PIPES ARE SUPPLIED LOOSE AND SHOULD BE FITTED AS SHOWN TOGETHER WITH STAINLESS MESH TRAP.
4. IF UNIT REQUIRES NECK EXTENSIONS, CONSULT TECHNICAL SALES, PARTS TO BE ASSEMBLED ON SITE.



UNIT	DIM 'A'	DIM 'B'	DIM 'C'	DIM 'D'	DIM 'E'	WORKING CAPACITY.	APPROX EMPTY WEIGHT
3000 LITRE TANK	3060	1533	1225	1210	530	3000 Litres	130 Kg
6000 LITRE TANK	4530	2265	1440	1390	570	6000 Litres	160 Kg



ALL DIMENSIONS ARE IN MILLIMETRES - DO NOT SCALE

ISSUE	DATE	DRAWN	MODIFICATION
09	08.08.07	T.K.	CC497 - 'U' BOLT IN NECK ROTATED 90°
8	21.12.04	A.L.	DOUBLE THREADED SOCKET & HOSETAIL ADDED
7	19.10.04	A.L.	DRAWING UPDATE
6	11.02.04	A.L.	DRAWING UPDATE
5	22.12.03	A.L.	BORDER UPDATE

This drawing is copyright and may not be reproduced or used without the written permission of Klargester Environmental. KLARGESTER RESERVE THE RIGHT TO CHANGE SPECIFICATIONS WITHOUT NOTICE

THIRD ANGLE PROJECTION

Klargester
Treatment Systems

Klargester Environmental
College Road North, Aston Clinton,
Aylesbury, Bucks. HP22 5EW.
Tel:- 01296 633000
www.klargester.com

TITLE
RAIN WATER STORAGE TANKS
3000L / 6000L
CUSTOMER DRAWING

SCALE 1:10 SHEET SIZE A1

DRAWING No. DS0621 ISSUE 09